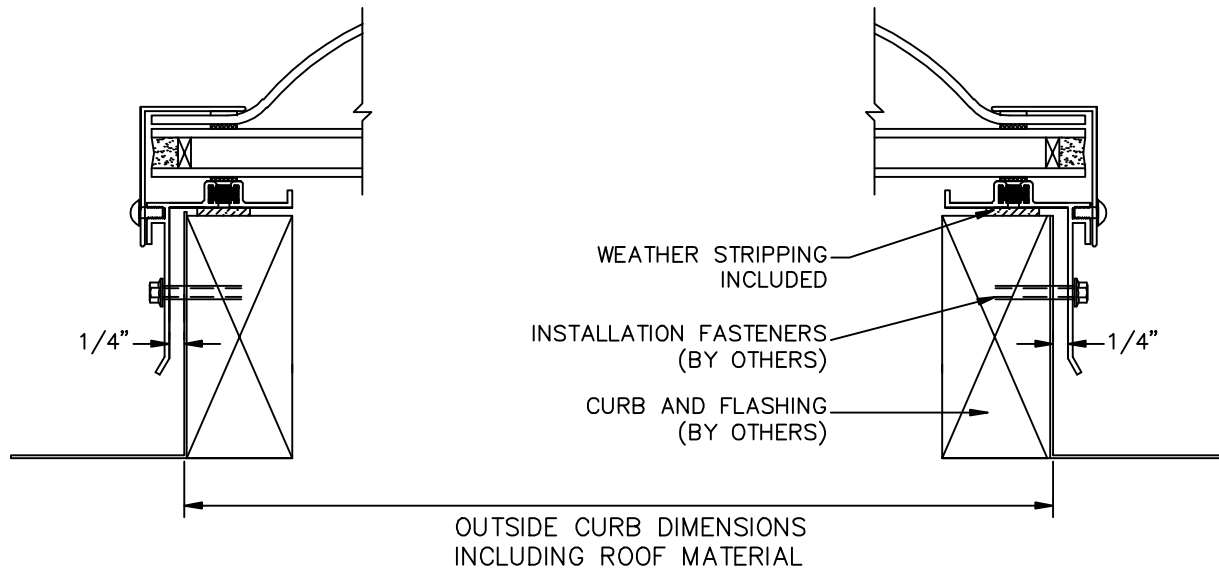


**NOTE:**  
The flange-to-flange dimension is 1/2" larger than the outside dimension of curb, unless directed otherwise



**CURB MOUNT-GLASS; THERMALLY BROKEN FOR FLAT ROOF APPLICATION - SPECIFICATION:** Curb Mount-Glass; Thermally Broken, as manufactured by ORCA Manufacturing, Inc., with insulated glass unit (Clear tempered over tempered standard, Low-E, tinted or laminated as an option) with a single outer acrylic dome in a welded thermally broken, extruded aluminum sash. Each unit will have a built-in evaporative condensation gutter. Finish in bronze, (white gloss enamel as an option).

<b>CMG/D-TB-FR</b>					
Model	Dimensions (F/F)	Glazing	Finish	Quantity	Project



**TITLE: CURB MOUNT GLASS W/ACRYLIC DOME - THERMALLY BROKEN - FLAT ROOF MODEL**

Rev. Date	April 11, 2012	Sheet: <b>1 OF 1</b>
Drawn By	AP	
Rev. By	CRH	Dwg No.
Engineer:	AP	CMA-D-TB-FR 041312

ORCA Manufacturing, inc.  
P.O. Box 992  
Hurlock, MD 21643  
PHONE (800) 776-1539  
FAX (410)-943-8245  
www.starlightskylights.com