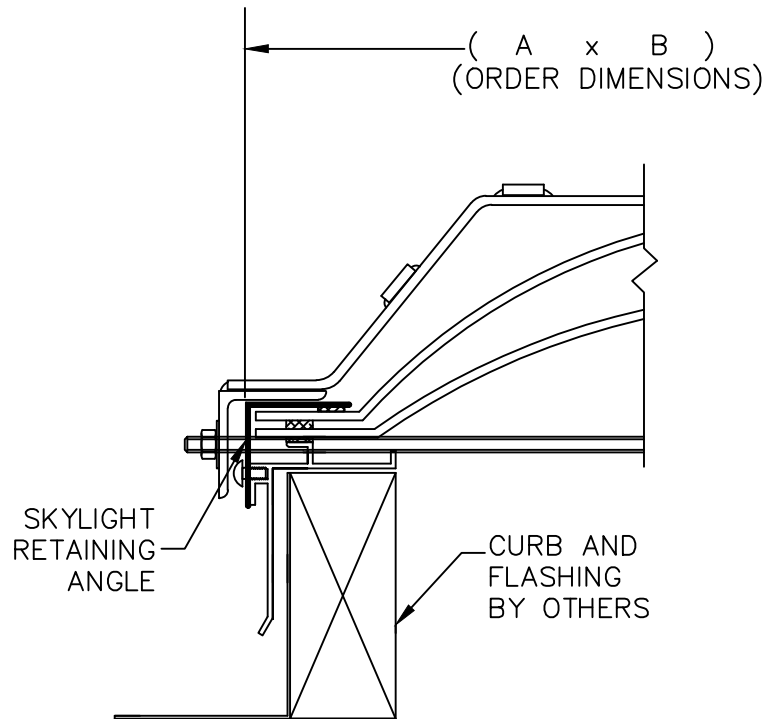


PLAN VIEW



FG-RF CMA					
Model	Dimensions (A x B)	Glazing	Finish	Quantity	Project



**TITLE:** FALL GUARD - RETRO FIT  
CURB MOUNT ACRYLIC

<i>Rev. Date</i>	December 03, 2014	
<i>Drawn By</i>	AP	<i>Sheet:</i> 1 OF 1
<i>Rev. By</i>	CRH	<i>Dwg No.</i> FG-RT 041112
<i>Engineer:</i>	AP	

ORCA Manufacturing, inc.  
P.O. Box 992  
Hurlock, MD 21643  
PHONE (800) 776-1539  
FAX (410)-943-8245  
www.starlightskylights.com